

# AUTOMATIC PISTON FILLING MACHINE



APACKS automatic Linear Piston Filler is an extremely flexible filler, capable of volumetrically filling low viscosity (thin) liquids to high viscosity (thick) liquids or creams with or without particulates. Product delivery from your bulk tank to the pistons can be configured with either a buffer tank with level-sensing float or through the manifold with direct draw or recirculation methods.

The automatic piston filler is manufactured with a 304 stainless steel, tig-welded tube frame and is available with 1 to 12 Fill Heads on our standard frame. It also comes standard with PLC Controls and touch screen HMI, food grade contact parts, and stainless steel and anodized aluminum components, plus many more features. Options are available for even more versatility.

Automatic Linear Piston Fillers are designed to add efficiency to any production line used in the cosmetic, food and beverage, cleaning and specialty chemical, pharmaceutical, and personal care industries. It can even be built to suit sanitary, hazardous, flammable and corrosive environments.



## SPECIFICATION

- Standard Construction: Heavy duty 304SS tig-welded tube frame
- Number of Fill Heads: 1 to 12
- Product Delivery: Buffer tank with levelsensing float or manifold with direct draw or recirculation method
- Filling Size: 0.5oz to 5L
- Power Requirement: 120VAC, single phase, 15 amp, 50-60Hz
- Air Requirement: 90PSI clean, dry, compressed air, CFM is dependent on production rate and size and quantity of pistons used
- Dimensions & Weight: Subject to model configuration

## FEATURES

- Food grade contact parts
- Volumetric Control Adjustment
- Stainless steel and anodized aluminum components
- PLC Controls with touch screen HMI
- Automatic Pneumatic Gates (Entry and Exit)
- Front panel Start and Emergency Stop
- On/off and speed Controls for Conveyor
- No bottle/No fill Sensor
- Bottle Backup Sensor (downstream delays operation until jam is cleared)
- Mounted on 4 heavy duty threaded leveling leg



# AUTOMATIC PISTON FILLING MACHINE

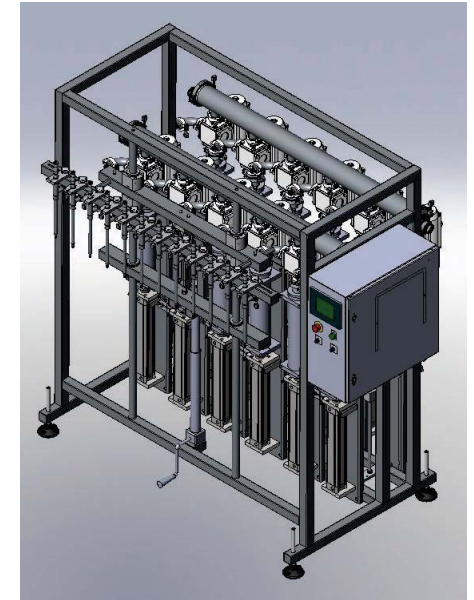
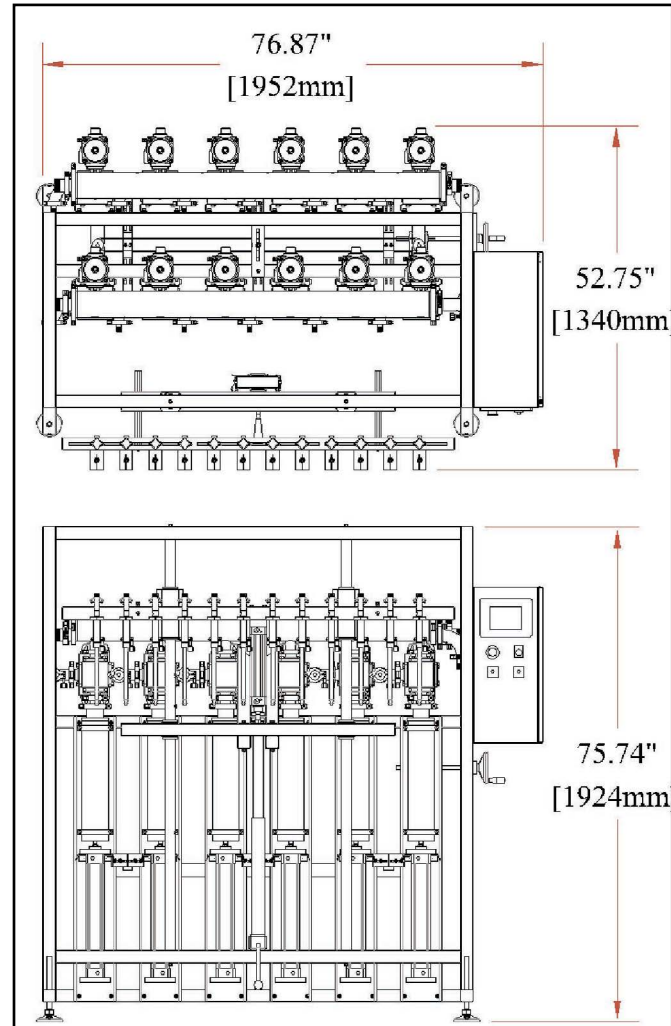


## OPTIONS

- Diving Heads
- Drip Tray
- Container Neck Locators
- Starwheel or Timing Screw Indexing
- Manifold and Tank Upgrades
- Servo-driven Pistons
- Capacity for Additional Fill Heads
- Custom applications
- Lexan Safety Guarding
- Special electrical requirements
- Additional remote E-stops
- Sanitary, hazardous, flammable and corrosive environment construction

## APPLICATIONS

- |                                  |              |
|----------------------------------|--------------|
| Semi-viscous and viscous liquids | shampoo      |
| catsup                           | styling gels |
| mustard                          | facial masks |
| syrops                           | wax          |
| salsa                            | glue         |
| mayonnaise                       | grease       |
| honey                            | sealants     |
| peanut butter                    | silicone     |
| jellies                          |              |
| dipping sauces                   |              |
| lip balm                         |              |



- Complete line of filling and packaging solutions
- Standard filling machines in stock and ready to ship
- Economical prices, installation services and excellent customer service

1500 Lake Street, La Porte, Indiana 46350  
Local & Outside US: 219-369-4131  
Toll Free: 866-369-9030  
Fax: 574-975-2711

[sales@apackas.com](mailto:sales@apackas.com)  
[www.apackas.com](http://www.apackas.com)